



TECH TIP

A SNEAK PEAK AT TIE ROD ENDS

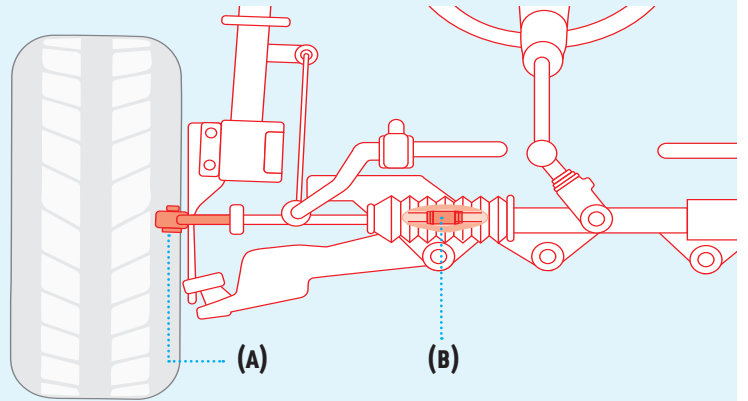


A.K.A.
Tie rods
Track rods (UK)

TIE ROD ENDS

Are components of the **steering system** of a vehicle:

- Include the outer **(A)** and the inner ends **(B)**
- Make turning the vehicle possible
- Connect the steering rack to the knuckle



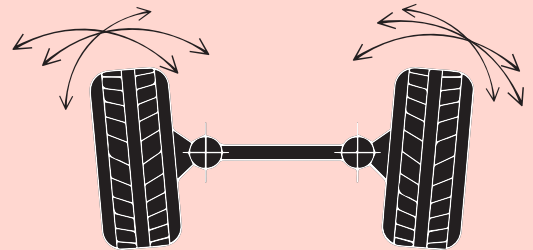
5 REASONS FOR WEAR



- Everyday wear because they are solicited every time the vehicle is steered
- Cracked rubber boots that let in moisture and cause corrosion
- Lack of lubrication, especially after off-road driving
- Damage from severely hitting a curb or pothole
- More problematic in heavier applications due to greater loads

4 FAILURE SYMPTOMS

- ➊ **Poor front-end wheel alignment** that may result in the vehicle "pulling" to one side
- ➋ **Vibration or shaking sensation** in the steering wheel
- ➌ **Uneven tire wear** due to bad alignment. Tires may need to be replaced prematurely
- ➍ **Inability to steer** if all previous symptoms have been ignored over time by the driver



FULL RANGE OF HEAVY-DUTY STEERING & SUSPENSION CAR PARTS



- Control arms
- Ball joints
- Bushings
- Sway bar link kits
- Tie rod ends
- And much more

OVER 2,200
PRODUCT NUMBERS
AVAILABLE

TOR

TOUGH | OPTIMAL | RELIABLE

Each component is tested throughout the manufacturing process for optimal fit and extended service life.

Built by a manufacturer that has been producing chassis parts since 1953.



FOR MORE INFORMATION, VISIT
torsuspension.com